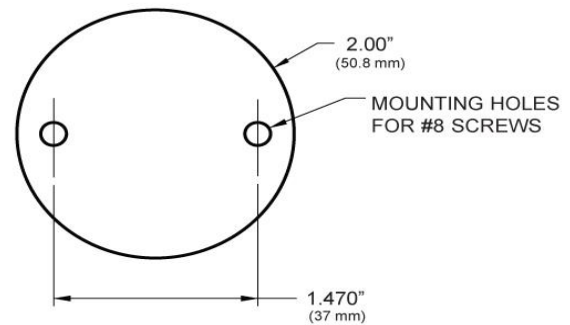
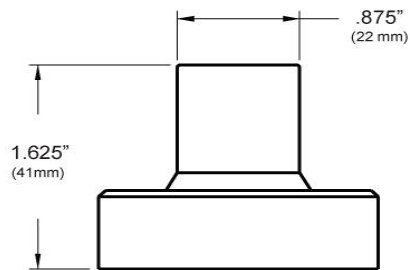


U-Holder™**SPECIFICATIONS**

- Item # : 10255
- Dimensions: 2" Ø x 1.625" H (50.8 x 41 mm.)
- Material: ABS plastics
- Supplied with twin stick adhesive disk (may also be fastened using two #8 screws)

**PRODUCT FEATURES**

- Eliminates the need to remove and replace marker caps, improving marking efficiency.
- Enables one hand operation and eliminates the need for a cap.
- Prevents tips from drying out.
- Discourages "borrowing" and keeps markers where they belong
- Ideal for repetitive marking and inspection operations.
- A spot mark can be applied to the holder to identify marker color.

**PRODUCT FITS:**

- W20™ Water Based Paint Marker
- A10™ Paint Marker
- A20™ Paint Marker with Reversible Tip
- 100P™ Industrial Paint Marker
- 100P™ Fine Line Paint Marker
- 130P™ Industrial Paint Marker with Reversible Tip
- Tekmark™ Indelible Marking Pen
- M3™ Permanent Marker
- M5 Permanent Marker
- DR Mark™ Detergent Removable Marker
- Washoff™ Water Removable Marker
- EZ OFF™ Wet Erase Ink Marker
- UV10™ Marker